



Melo-S1

Large-Diaphragm
Condenser Microphone

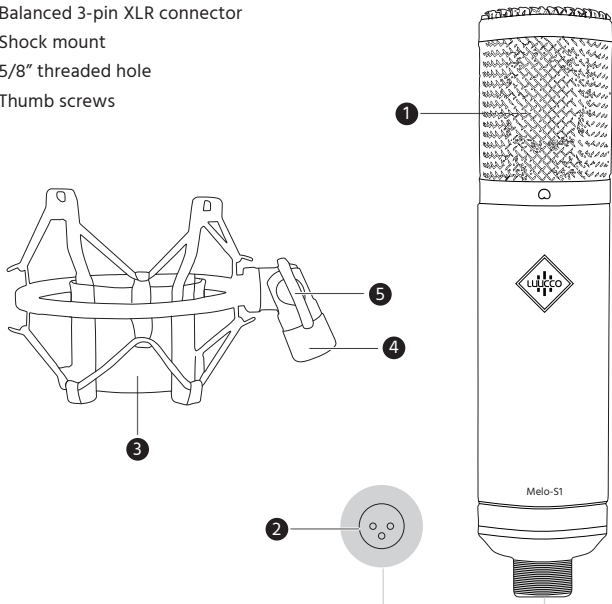
User Manual

Box Contains:

- 1* Melo-S1 microphone
- 1* Shock mount
- 1* 3/8" to 5/8" adapter
- 1* XLR cable

Product Structure

1. Large 34mm (1.3") gold-sputtered diaphragm
2. Balanced 3-pin XLR connector
3. Shock mount
4. 5/8" threaded hole
5. Thumb screws



Specifications

Acoustic Principle:	Condenser
Diaphragm:	34mm(1.3")
Polar Pattern:	Cardioid
Frequency Response:	20-20,000 Hz
Sensitivity:	-34dB±2dB (0dB=1/ubar at 1kHz)
Maximum SPL:	130 dB SPL
Signal-to-Noise Ratio:	>82dB
Output Impedance:	200 Ohm
Audio Output Connector:	3-pin XLR Connector
Phantom Power:	24V or 48V
Cable Length:	2m(6.6ft)
Weight:	626g (22 oz)
Microphone Dimensions:	ø: 5 x L: 18.6 cm / ø: 2 x L: 7.3"



www.luuccotech.com

Manufacturer: Luucco (Shenzhen) Technology Co., Ltd.

Factory Add.: No. 13/14, Building 9, Huake City Incubation Park,
Daojiao Town, Dongguan City, Guangdong, China

Email: sales@luuccotech.com

www.luuccotech.com