



StreamPro-S1

USB Microphone

User Manual

Introduction

The Luucco StreamPro-S1 is a studio condenser microphone that combines professional quality sound capture.

The cardioid polar pattern and 192KHz/24bit high-quality functions provide a high level of versatility, excelling for a wide variety of podcasting, streaming, gaming, ASMR, and recording applications.

A mic gain control and mute button is on the front of the mic for convenient operation, giving additional flexibility for in-the-moment audio control. The mic offers a 3.5mm headphone jack for monitoring.

The mic also offers a desk stand, or a 5/8 to 3/8" thread adapter ensures you can mount this mic on nearly any mic stand.

Box Contains:

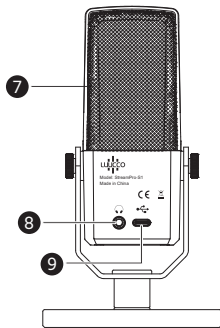
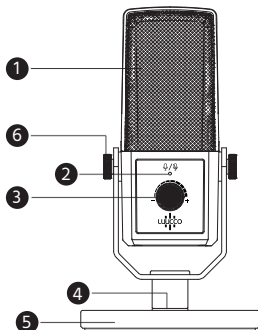
- 1* StreamPro-S1 microphone
- 1* Type-c cable
- 1* Type-C to USB adapter
- 1* 5/8 to 3/8" adapter

Product Structure

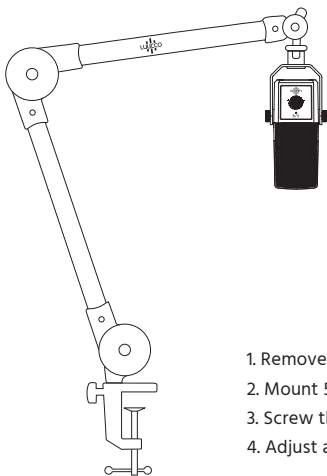
1. High-quality condenser capsule
2. Indicator LED

Status	Indicator
Normal	Blue
Mute	Red

3. Sound level control/Mute button
 - Press the Mute button, mute ON
 - Press the Mute button again, mute OFF
4. Thread attachment for mic stands and studio arms
5. Detachable desk stand
6. Thumb Screws
7. Built-in pop filter
8. Headphone output
9. Type-C connector



How to mount StreamPro-S1 to Boom Arm



1. Remove desk stand.
2. Mount 5/8 to 3/8" adapter if required.
3. Screw the microphone onto the thread of the Arm.
4. Adjust any angle you desire.

Specifications

Polar Pattern:	Cardioid
Element Type:	Condenser
Frequency Range :	40Hz-18000Hz
Sensitivity:	-45±3dB (1.5V , 680KΩ; 0dB=1V/Pa, 1KHz)
Maximum SPL :	125dB
S/N:	82dB
Sample Rate:	192KHz/24bit
Operating Voltage:	5V
Mounting:	Desktop Stand (Included)
	5/8 to 3/8" Adapter (Included)
Digital Output Connector:	USB-C Female
Headphone Output:	3.5 mm / 1/8"
Weight:	445g (Microphone, Stand)



www.luuccotech.com

Manufacturer: Luucco (Shenzhen) Technology Co., Ltd.

Factory Add.: No. 13/14, Building 9, Huake City Incubation Park, Daojiao Town,
Dongguan City, Guangdong, China

Email: sales@luuccotech.com

www.luuccotech.com